

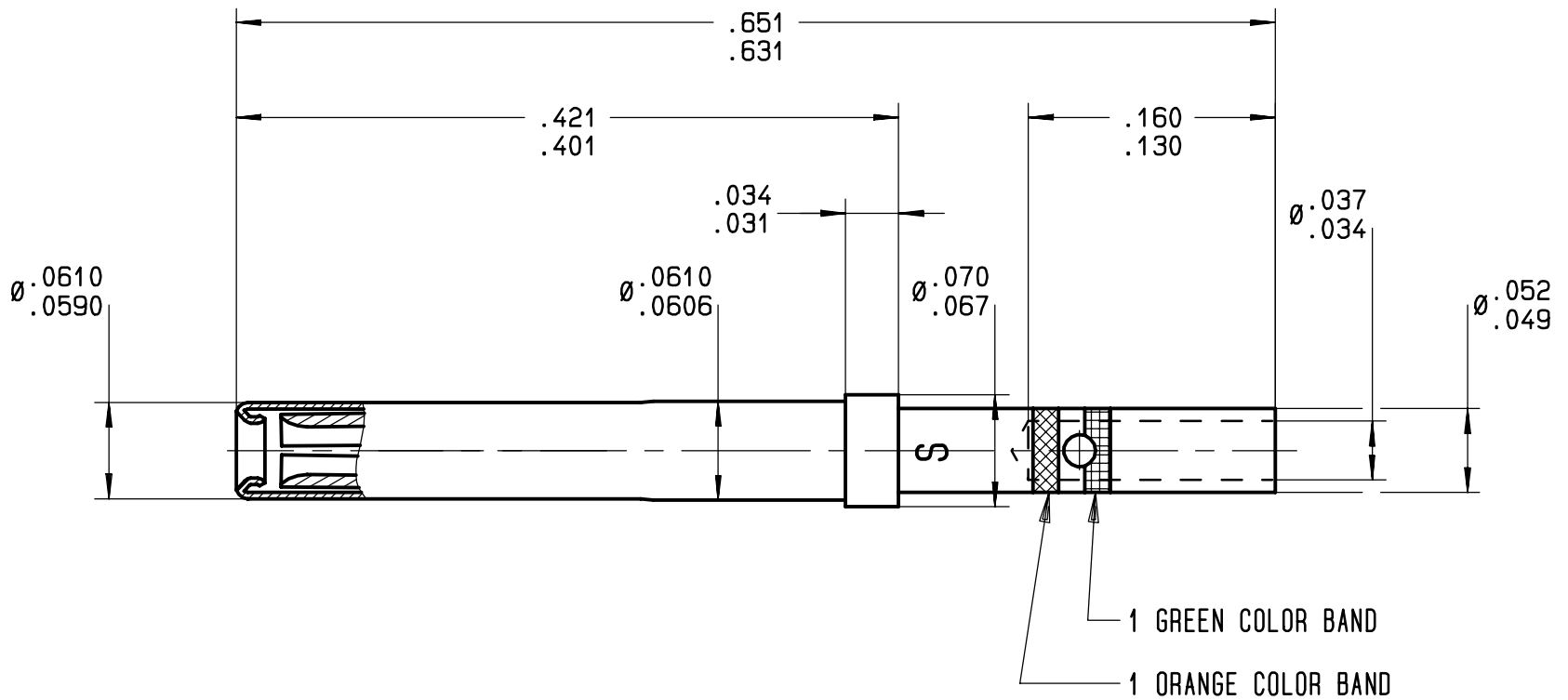


Series  
NSX

SIZE 22 CRIMP REMOVABLE SOCKET CONTACT

Issue:  
10 APRIL 96

Page  
1 / 1



MATERIAL AND FINISH :  
BODY CONTACT : COPPER ALLOY - GOLD OVER NICKEL  
PROTECTIVE SLEEVE : STAINLESS STEEL

WIRES ACCOMODATED : AWG 22-24-26  
INSULATION DIAMETER : .054 MAX  
STRIP LENGTH : .138

TOOLING  
CRIMPING TOOL : M22520/2-01 RADIALL 282 281  
SELECTOR POSITION : 4 FOR AWG 22  
3 FOR AWG 24  
3 FOR AWG 26

POSITIONER : M22520/2-23 RADIALL 282 970  
INSERTION AND EXTRACTION TOOL : M81969/1-01 RADIALL 282 885

This information is given as an indication. In the continual goal to improve our products, we reserve the right to make any modifications judged necessary.

4112-9311

CREATION				
PEN: .				
NOM: L FALETTI				
DATE: 25 APRIL 83	10 APR 96	REDRAWN	VALGRESY	.
APPR.:	Issue	Revisions	Name	Approved